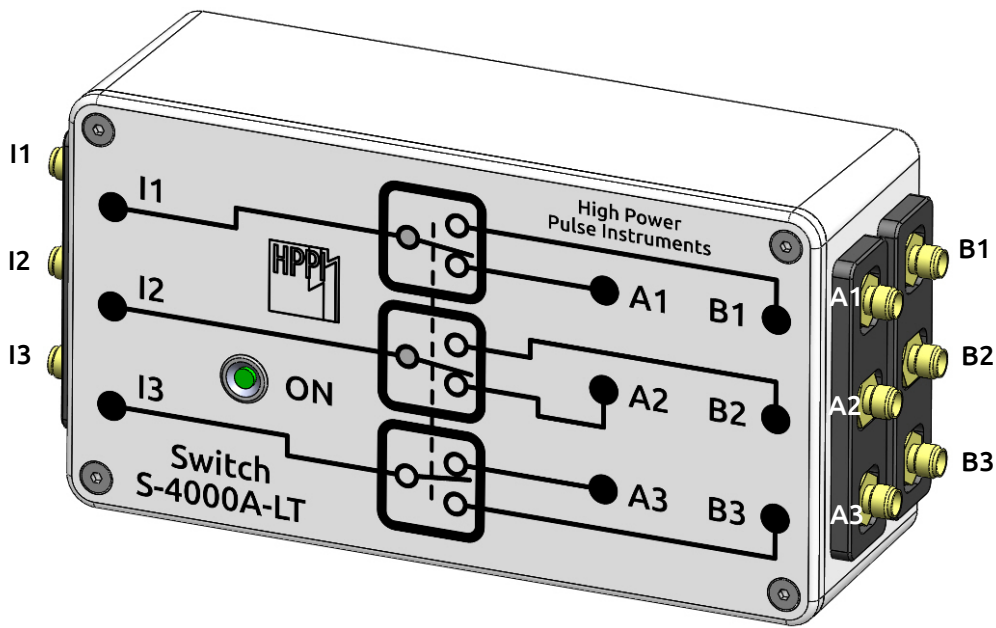


18 GHz Low Triboelectric Switch S-4000A-LT

Advanced TLP/HMM/HBM Solutions



1 Features

- 3 synchronous switched single pole, double throw (SP2T) channels.
- All channels have very low triboelectricity
- DC - 18 GHz bandwidth
- Suitable for high performance VF-TLP
- 9 SMA interfaces
- Integrated sheath wave (common mode) suppression
- 12 V, 600 mA dual control interface, connected in parallel. Pin-compatible with the standard S-3000B switch interface of the TLP-3010C/4010C/8010A/8010C systems.
- Size 172 mm x 83 mm x 51 mm

2 Description

The S-4000A-LT is used to connect two different measurement setup with a TLP or VF-TLP system. The 3 channels of the S-4000A-LT can be used for pulse force, pulse sense and current sensor signals. All relay channels have very low triboelectricity.

2.1 Electrical Characteristics

Fig. 2 shows the typical insertion loss of a channel versus frequency.

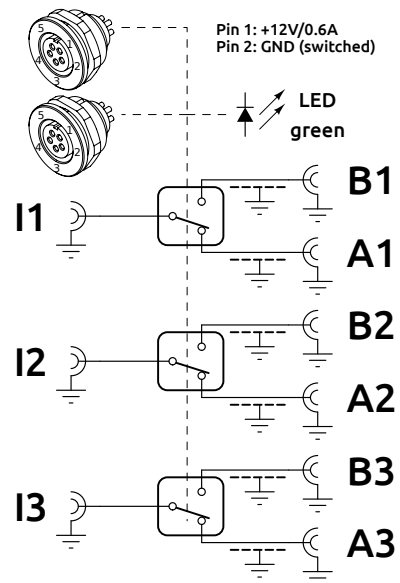


Figure 1: Schematic diagram

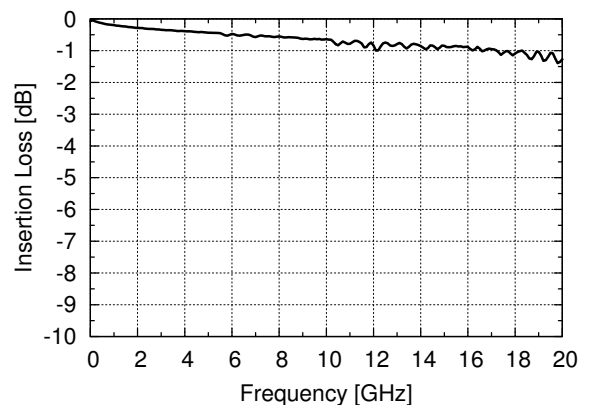


Figure 2: Typical insertion loss

18 GHz Low Triboelectric Switch S-4000A-LT

Advanced TLP/HMM/HBM Solutions

3 Mechanical Dimensions

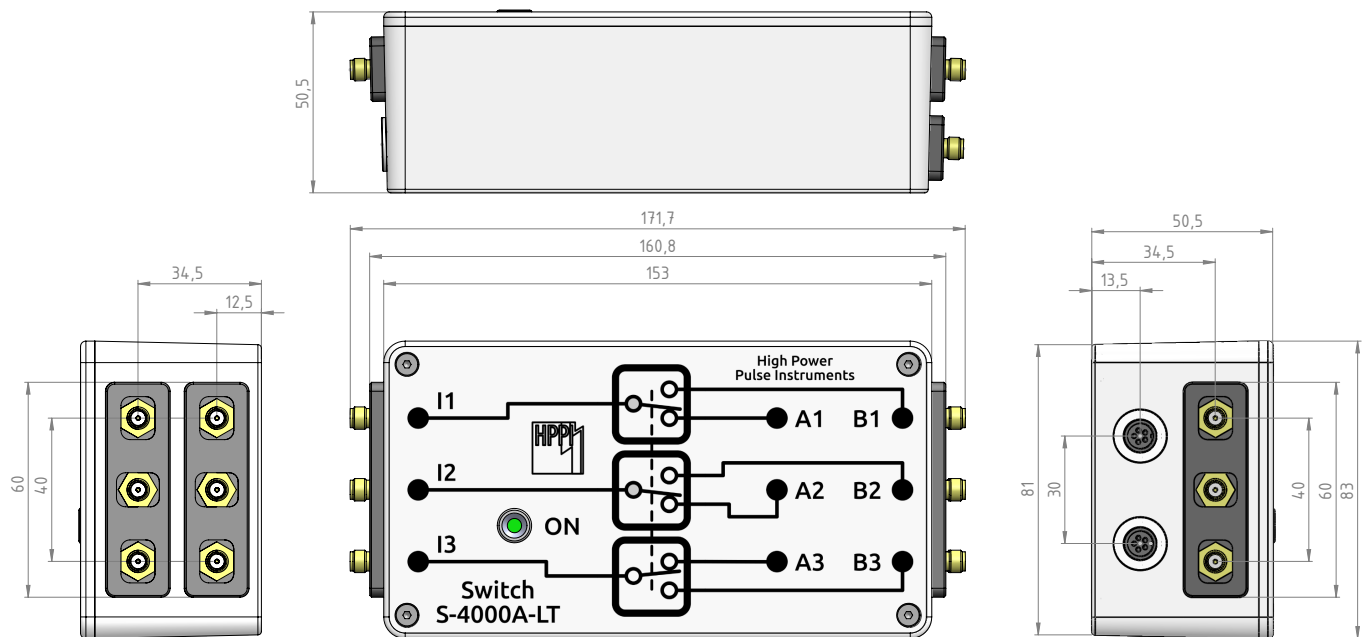


Figure 3: Mechanical dimensions of the S-4000A-LT in [mm]

4 Ordering Information

| Pos. | Description | Part No. |
|------|--|------------|
| 01 | 18 GHz Low Triboelectric Switch S-4000A-LT | S-4000A-LT |

General

The product data contained in this data-sheet is exclusively intended for technically trained staff. You and your technical departments will have to evaluate the suitability of the product for the intended application and the completeness of the product data with respect to such application. Our products are solely intended to be commercially used internally and should not be sold to consumers. This data-sheet is describing the specifications of our products for which a warranty is being granted by HPPI GmbH. Any such warranty is granted exclusively pursuant the terms and conditions of the respective supply agreement. There will be no guarantee of any kind for the product and its specifications. For further information on technology, specific applications of our product, delivery terms, conditions and prices please contact HPPI:

High Power Pulse Instruments GmbH
 Stadlerstrasse 6A
 D-85540 Haar, Germany
 Phone : +49 (0)89 8780698 - 440
 Fax : +49 (0)89 8780698 - 444
 E-Mail : info@hppi.de

Due to technical requirements our products and/or their application may be harmful. For information please read carefully the manual or contact HPPI. Safety notes in the manual will inform you about possible risks that result from any foreseeable application of our products. Changes of this data-sheet are reserved.