

Compact Probe Kit PHD-PPM10-H9

Advanced TLP/HMM/HBM Solutions

1 Features

- Electrically isolated probearm for VF-TLP, TLP, HMM, HBM force/sense probing based on the GGB Picoprobe Model 10 replacement probe tips
- **Buried coaxial cable channel for thermo-chuck in isolated chamber temperature measurements**
- Compatible with GGB Picoprobe Model 10 replacement probetips
- Compatible with all standard micropositioner interfaces
- High precision rotation of the probearm by backlash-free 80:1 gear
- Rugged stainless steel design



2 Description

The PHD-PPM10-H9 is a multipurpose, high-performance probe which can be used for VF-TLP/TLP/HMM/HBM force/sense probing as well as general RF measurements using the GGB Picoprobe Model 10 replacement probetips. The PHD-PPM10-H9 was designed to be attached to any micropositioner for use on any probe station. The coaxial buried cable channel enables sealing of the probe for use in isolated thermo-chuck/chambers. The PHD-PPM10-H9 is available with 4 options including 1 m cable length or 0.2 m cable length, as listed in Sect. 3. The short cable is useful if the probe is used for pulse force with the current sensor connected as close as possible to the device-under-test.

2.1 Physical Dimensions

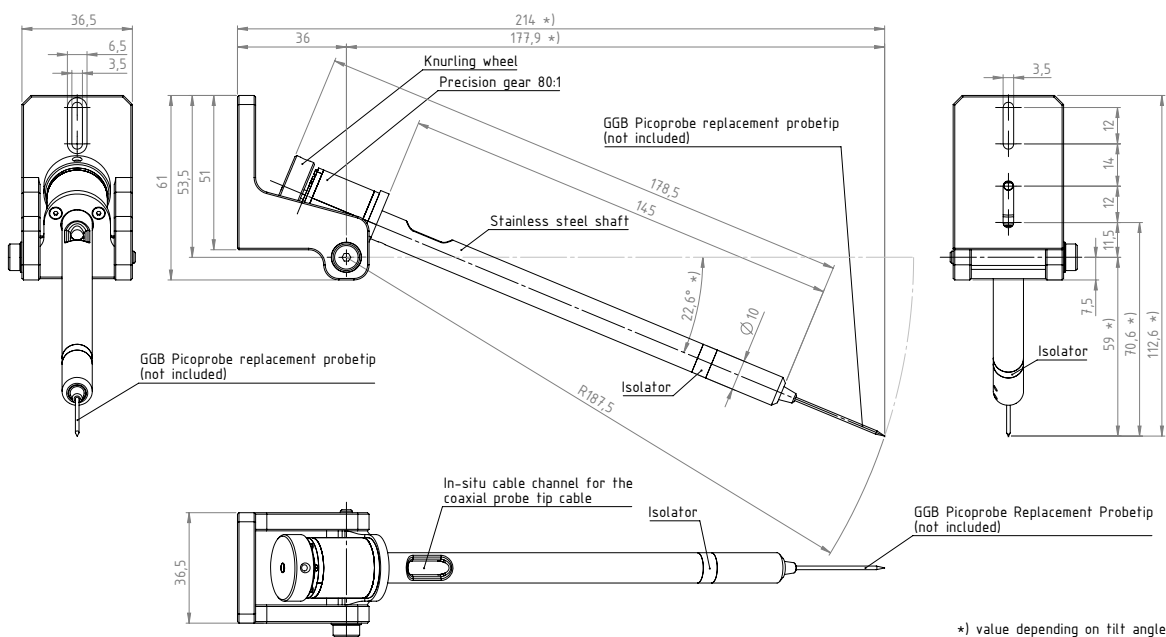


Figure 1: Physical dimensions PHD-PPM10-H9L/R in [mm] - standard length for 300 mm and 200 mm probe stations.

Compact Probe Kit PHD-PPM10-H9

Advanced TLP/HMM/HBM Solutions

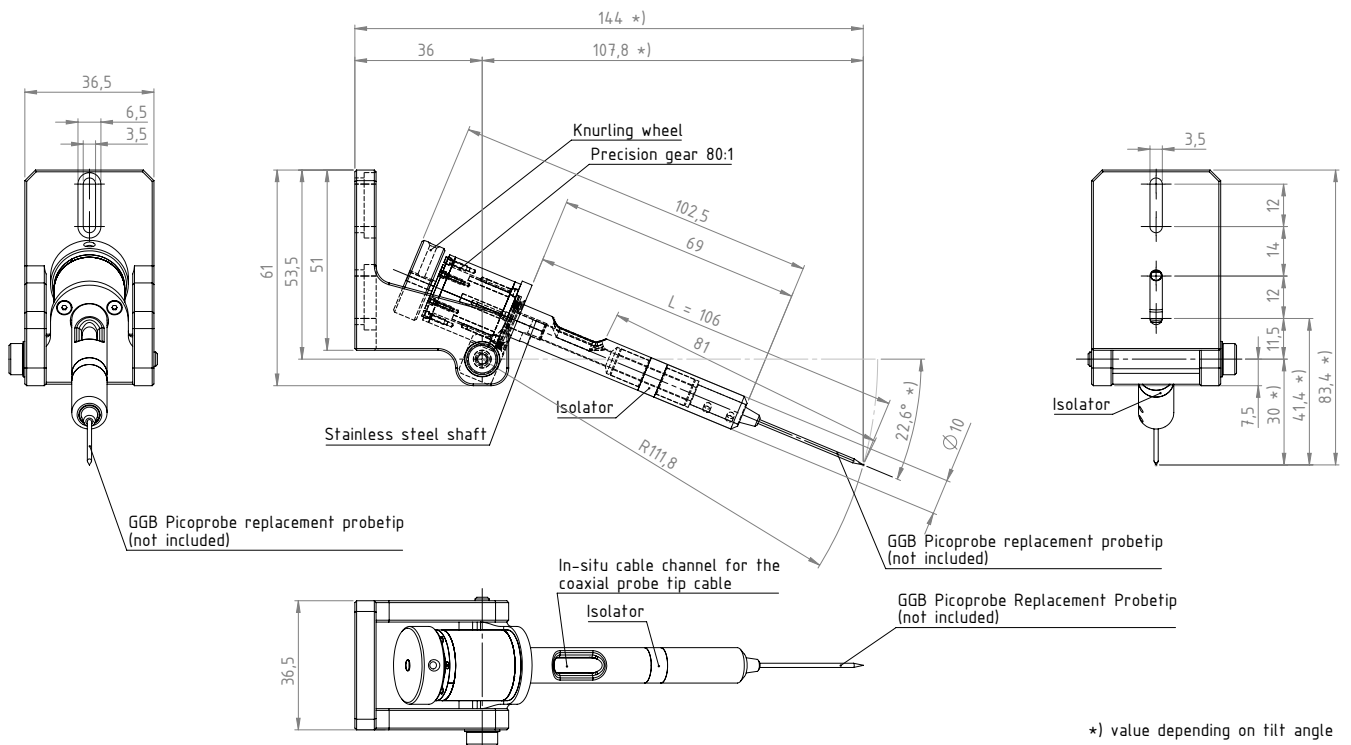


Figure 2: Physical dimensions PHD-PPM10-H9L/R in [mm] - short length for 200 mm probe stations.

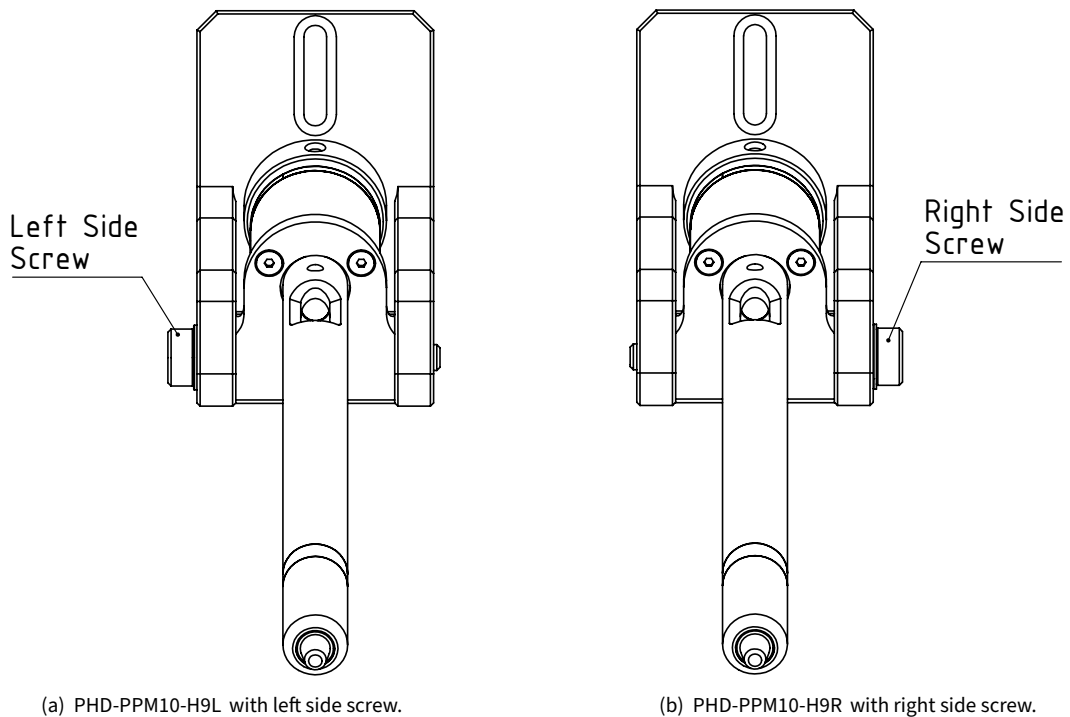


Figure 3: PHD-PPM10-H9 with left sided (PHD-PPM10-H9L) and right sided (PHD-PPM10-H9R) screw, for better usability on the wafer probing station if the probe is located on the left or right side. If the probe is mounted on the left side on the wafer prober, the PHD-PPM10-H9L type is recommended.

Compact Probe Kit PHD-PPM10-H9

Advanced TLP/HMM/HBM Solutions

3 Ordering Information

The PHD-PPM10-H9 is available in 4 options. In addition please specify which length: standard length as shown in Fig. 1 or short length as shown in Fig. 2. For Octagon CM300 wafer prober a sealing kit PHD-4001-TH-Seal is available.

Pos.	Description	Part No.
01	PHD-PPM10-H9 probe kit, left side screw (Fig. 3(a)), with 1 m cable (GGB Picoprobe Model 10 replacement probetips not included)	PHD-PPM10-H9L-1m
02	PHD-PPM10-H9 probe kit, right side screw (Fig. 3(b)), with 1 m cable (GGB Picoprobe Model 10 replacement probetips not included)	PHD-PPM10-H9R-1m
03	PHD-PPM10-H9 probe kit, left side screw (Fig. 3(a)), with 0.2 m cable (GGB Picoprobe Model 10 replacement probetips not included)	PHD-PPM10-H9L-0.2m
04	PHD-PPM10-H9 probe kit, right side screw (Fig. 3(b)), with 0.2 m cable (GGB Picoprobe Model 10 replacement probetips not included)	PHD-PPM10-H9R-0.2m

General

The product data contained in this data-sheet is exclusively intended for technically trained staff. You and your technical departments will have to evaluate the suitability of the product for the intended application and the completeness of the product data with respect to such application. Our products are solely intended to be commercially used internally and should not be sold to consumers. This data-sheet is describing the specifications of our products for which a warranty is being granted by HPPI GmbH. Any such warranty is granted exclusively pursuant the terms and conditions of the respective supply agreement. There will be no guarantee of any kind for the product and its specifications. For further information on technology, specific applications of our product, delivery terms, conditions and prices please contact HPPI:

High Power Pulse Instruments GmbH
 Stadlerstrasse 6A
 D-85540 Haar, Germany
 Phone : +49 (0)89 8780698 - 440
 Fax : +49 (0)89 8780698 - 444
 E-Mail : info@hppi.de

Due to technical requirements our products and/or their application may be harmful. For information please read carefully the manual or contact HPPI. Safety notes in the manual will inform you about possible risks that result from any foreseeable application of our products. Changes of this data-sheet are reserved.