

25 ns Rise-Time Filter ORTF-25

Advanced TLP/HMM/HBM Solutions

1 Features

- 50 Ω rise-time filter for TLP measurements
- 25 ns ($\pm 10\%$) rise-time
- up to 100 A pulse peak current
- up to 3.5 kV pulse peak voltage
- SMA connectors



2 Description

The rise time filter is used to generate a pulse rise-time of 25 ns at the output of the filter. The filter can be connected directly at the pulse output of the high voltage pulse generator.

The rise-time of the pulse at the input of the filter should be ≤ 1 ns. The filter is fully symmetrical. Input and output can be exchanged.

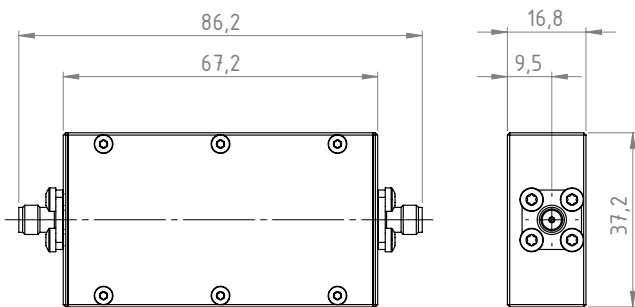


Figure 1: Physical dimensions in [mm]

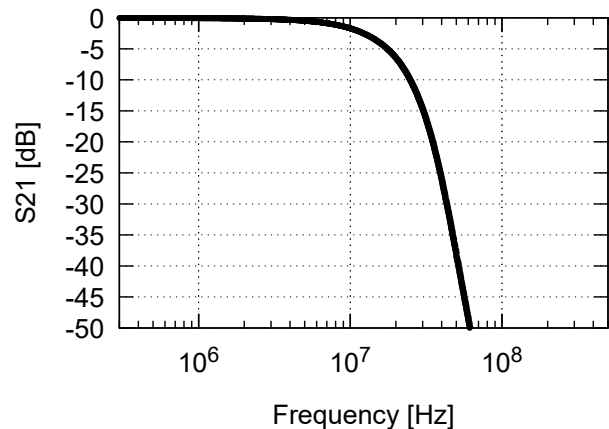


Figure 3: Typical frequency response

3 Electrical Characteristics

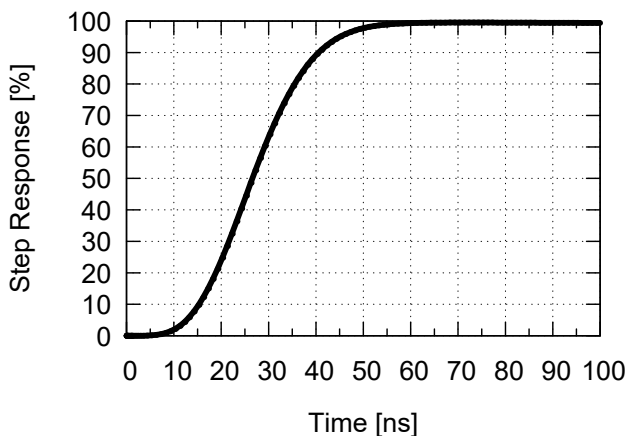


Figure 2: Typical step response

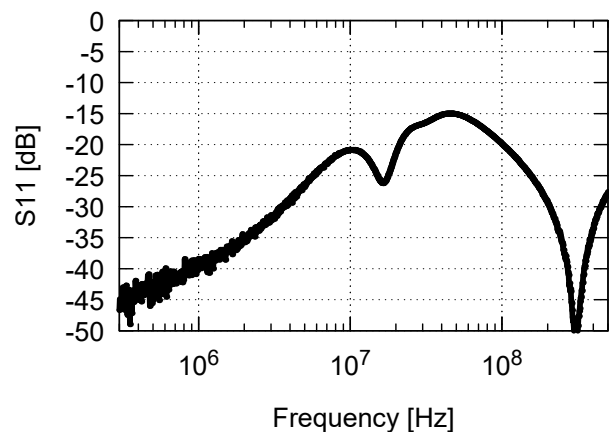


Figure 4: Typical return loss

25 ns Rise-Time Filter ORTF-25

Advanced TLP/HMM/HBM Solutions

4 Ordering Information

Pos.	Description	Part No.
01	25 ns Rise-Time Filter	ORTF-25

General

The product data contained in this data-sheet is exclusively intended for technically trained staff. You and your technical departments will have to evaluate the suitability of the product for the intended application and the completeness of the product data with respect to such application. Our products are solely intended to be commercially used internally and should not be sold to consumers. This data-sheet is describing the specifications of our products for which a warranty is being granted by HPPI GmbH. Any such warranty is granted exclusively pursuant the terms and conditions of the respective supply agreement. There will be no guarantee of any kind for the product and its specifications. For further information on technology, specific applications of our product, delivery terms, conditions and prices please contact HPPI:

High Power Pulse Instruments GmbH
Stadlerstrasse 6A
D-85540 Haar, Germany
Phone : +49 (0)89 8780698 - 440
Fax : +49 (0)89 8780698 - 444
E-Mail : info@hppi.de

Due to technical requirements our products and/or their application may be harmful. For information please read carefully the manual or contact HPPI. Safety notes in the manual will inform you about possible risks that result from any foreseeable application of our products. Changes of this data-sheet are reserved.